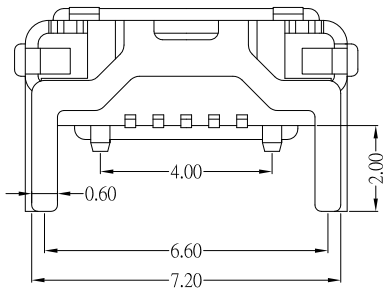
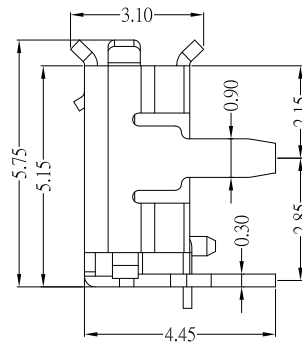
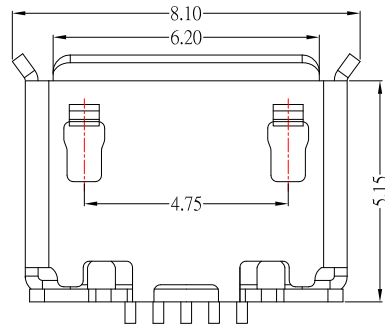
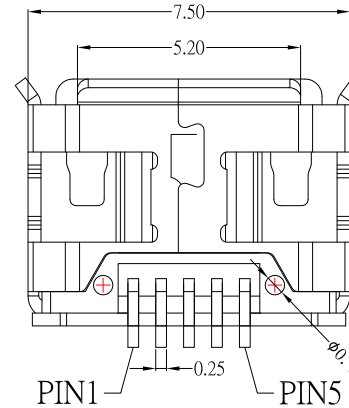


RECOMMENDED PCB LAYOUT



**SPECIFICATIONS**

**Electrical:**

- 1.Current Rating: 1.0A
- 2.Voltage Rating: 30V
- 3.Contact Resistance: 30 mΩ Max
- 4.Dielectric Withstanding Voltage: 100 V AC Min
- 5.Insulation Resistance: 100 MΩ Min

**Mechanical:**

- 1.Connector Mate and Unmate Force
  - 1.1 Mate force: 35N (Max)
  - 1.2 Unmate force: 10N(Min)

**Material:**

- 1.Housing: LCP
- 2.Contact: Brass
- 3.Shell: SUS

**Finish:**

- 1.Contact: Plated Gold in Mating Area ;  
Gold Plated on Solder Balls  
Nickel under plated overall
- 2.Shell: Nickel under Plated surface layer

|   |         |      |        |    |                |      |        |
|---|---------|------|--------|----|----------------|------|--------|
| 8 | 新增尺寸    | Jack | 071520 | 10 | 更新PCB LAYOUT尺寸 | Jack | 031523 |
| 7 | 新增PIN標示 | Jack | 121917 | 9  | 更新底部樣式         | Jack | 112822 |



TOLERANCE UNLESS OTHERWISE STATED :  
 Up to 5 ±0.2  
 Above 5 ~ 15 ±0.3  
 Above 15 ~ 30 ±0.4  
 Above 30 ~ 50 ±0.5  
 Angle ±0.3°

3RD. ANGEL'S



UNITS MM

|              |          |           |          |                        |
|--------------|----------|-----------|----------|------------------------|
| DRAWN BY:    | DATE     | MAT'L     | TITLE    | CONNECTOR              |
| Jack Lu      | 03/15/23 | FINISH    | MODLE    | MICRO USB BF CONNECTOR |
| CHECKED BY:  | DATE     | SCALE     | DWG NO.  | MRUSB-5B-EDA-S129      |
| Jacky Chen   | 03/15/23 | 1 : 1     | PART NO. | MRUSB-5B-EDA-S129      |
| APPROVED BY: | DATE     | SHEET NO. | 1 of 1   |                        |
| Tony Kao     | 03/15/23 |           |          |                        |

7

7